

Pages™ Dry Erase Markerboard System

Stackable • Movable • Sociable



Take collaboration to a new level with lightweight, stackable whiteboards that work individually or mount in multiples to mobile carts, cabinets and walls (either horizontally or vertically). Boards are made of durable, high-pressure laminate and have magnetized corners and brackets that easily click together and pop apart.

COLLABORATION ON A NEW LEVEL

Take collaboration to a new level with lightweight, stackable whiteboards that work individually or mount in multiples to mobile carts, cabinets and walls (either horizontally or vertically).

COST-EFFECTIVE

The boards' long service life makes them more cost-effective and environmentally friendly than paper-based solutions.

LONG LASTING

Boards are made of durable, high-pressure laminate and have magnetized corners and brackets that easily click together and pop apart.

SIZES

W: 23.5", 42"

D: 22"

H: 42", 62", 72"

MOBILITY

• Caster

FINISH

• Markerboard



PAGES ACCESSORIES
VERTICAL CART



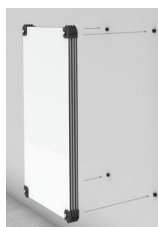
PAGES ACCESSORIES
HORIZONTAL CART



PAGES ACCESSORIES
REPLACEMENT PANELS



PAGES ACCESSORIES
LAMINATE STORAGE
MOUNT KIT



PAGES ACCESSORIES
DRYWALL MOUNT KIT





VERTICAL CARTS

Pages Vertical Cart with casters and 4 panels

23.5"W x 60"H x 22"D
23.5"W x 72"H x 22"D



DRYWALL MOUNT KIT

4 panels
23.5"W x 42"H x .5"D
Includes template for peg wall placement. Pegs also sold separately.
Graphite only



HORIZONTAL CART

Pages Horizontal Cart with casters and 4 panels

42"W x 72"H x 22"D



LAMINATE STORAGE MOUNT

Laminate Tall Storage Mount Kit with 4 panels
23.5"W x 42"H x .5"D
Includes template for placement
Graphite only

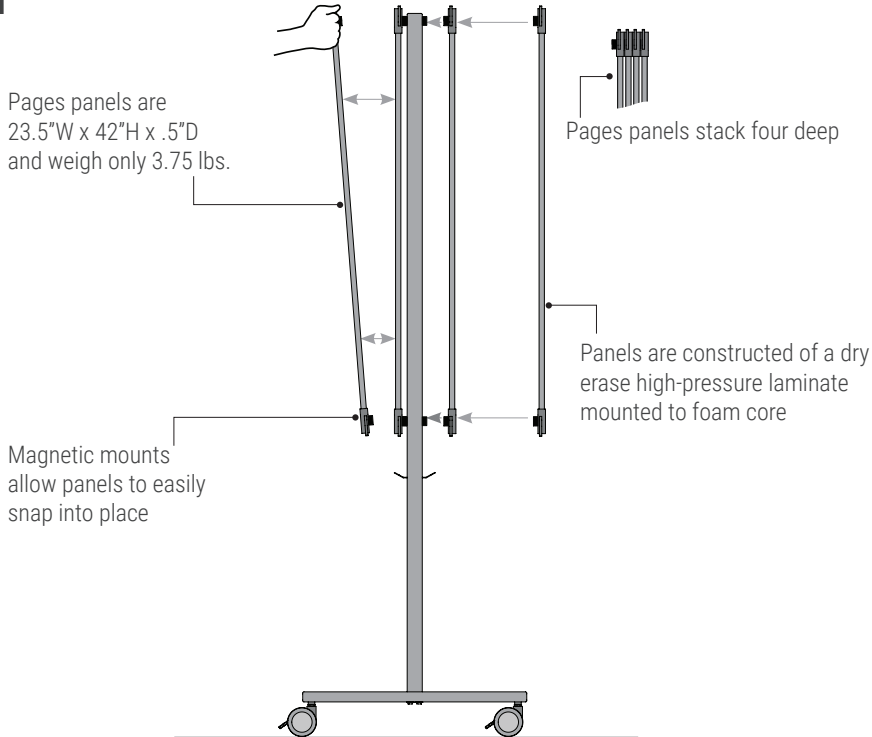


REPLACEMENT KIT

Pages Replacement Panels Kit
4 panels

23.5"W x 42"H x .5"D

PAGES SYSTEM



Pages Vertical Cart with dry erase panels (side view)