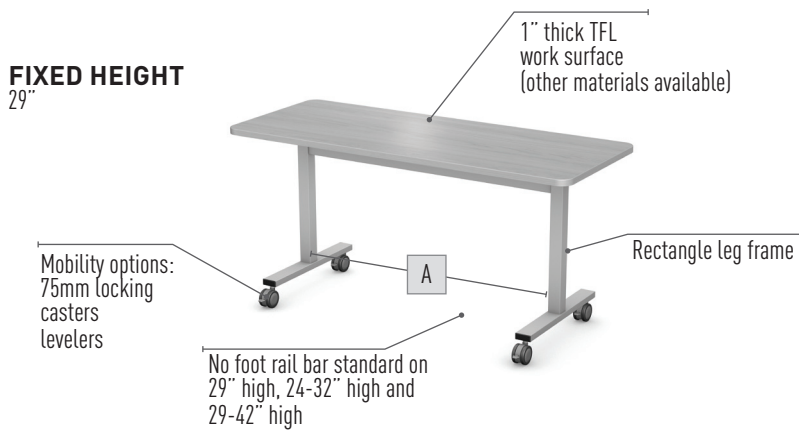


TABLES & DESKS - I-LEG

While four-leg tables meet most needs, sometimes aesthetics or function call for an I-leg solution, which increases the knee swing area under a top.



SPACE BETWEEN LEGS

Work Surface	Distance Between
W	A
48"	32"
54"	38"
60"	44"
72"	44"



SHIPPING

- Unit ships ready to assemble.
- Frame assembled and levelers or casters installed
- Product weights shown exclude packaging material

PRODUCT DETAILS



75mm locking casters



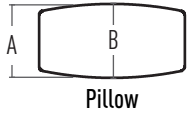
Leveler



Leg adjustment

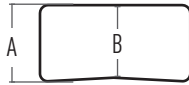
TABLES & DESKS - I-LEG

UNITIZED FRAME WORK SURFACE SHAPE
INNER AND OUTER DIMENSIONS



W	A	B
48"	24"	28"
54"	24"	29"
54"	27"	32"
60"	24"	30"

Pillow



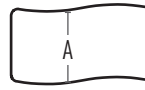
W	A	B
48"-72"	20"	18.6"
48"-72"	24"	22.6"
54"	27"	25.6"

Sidekick



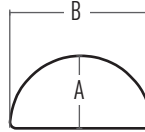
W	D	A	B
60"	30"	30"	26.4"

Hourglass



Wave

W	D	A
60"	30"	30"



Half Round

W	B	A
24"	48"	24"
30"	60"	30"
20"	40"	20"