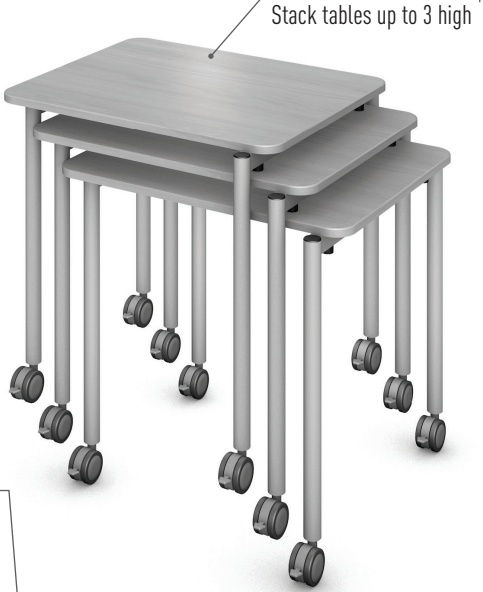


TABLES & DESKS - STACKER

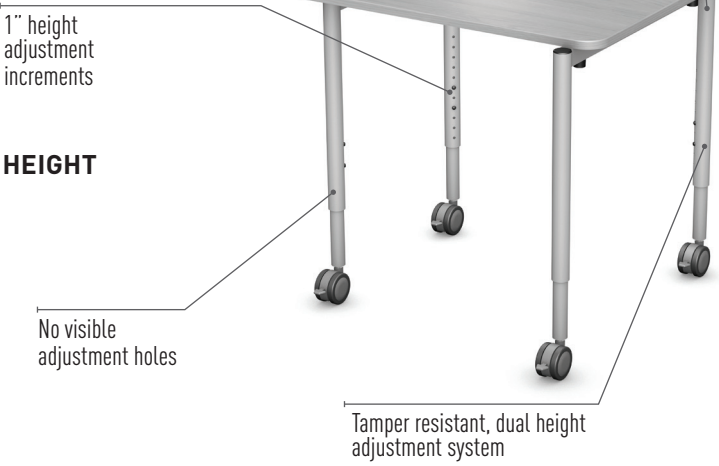
Classrooms need tables but experiential learning also calls for open areas. To achieve both goals, integrate our fully welded steel stacking tables into your portfolio.

FIXED HEIGHT 29"



Mobility options:
 1.5" dia. on all levelers - all legs
 75mm casters - all legs
 Wheelbarrow - 75mm casters and
 1.5" dia. leveler combination

ADJUSTABLE HEIGHT 24-32"



SHIPPING

- Work surfaces ship stacked, separate from frames
- Frames ship stacked
- Levelers or caster stems installed on legs
- Casters field installed
- Product weights shown exclude packaging materials

PRODUCT DETAILS



75mm locking casters



Leveler








Leg adjustment



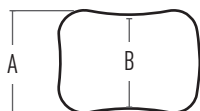
Frame underside and bumpers

TABLES & DESKS - STACKER

WORK SURFACE SHAPES

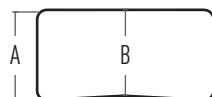
	Work Surface Dimensions				
	Depth	Width			
		30"	32"	41"	54"
 Plane	24"	•			
 Rectangle	24"	•			
	27"				•
 Sidekick	24"	•			
 Core	24"		•		
 Triangle	22"			•	

WORK SURFACE SHAPE INNER AND OUTER DIMENSIONS



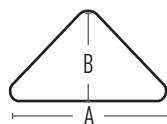
Core

W	D	A	B
32"	24"	24"	21.875"



Sidekick

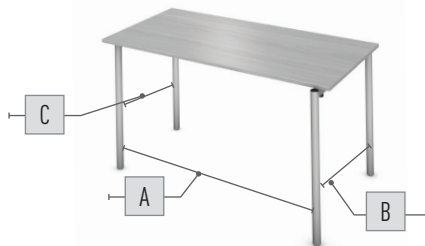
W	D	A	B
30"	24"	24"	22.6"



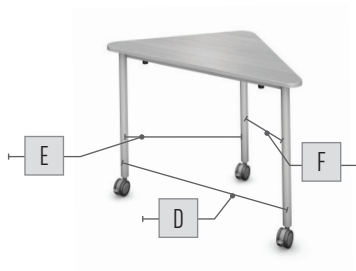
Triangle

W	D	A	B
41"	22"	40.77"	21.97"

SPACE BETWEEN LEGS



Work Surface		Distance Between		
Width	Depth	(A)	(B)	(C)
30"-32"	24"	23.25"	24"	17.25"
54"	27"	47.25"	27.25"	20.25"



Work Surface		Distance Between		
Width	Depth	(D)	(E)	(F)
41"	22"	33.5"	23.25"	23.25"