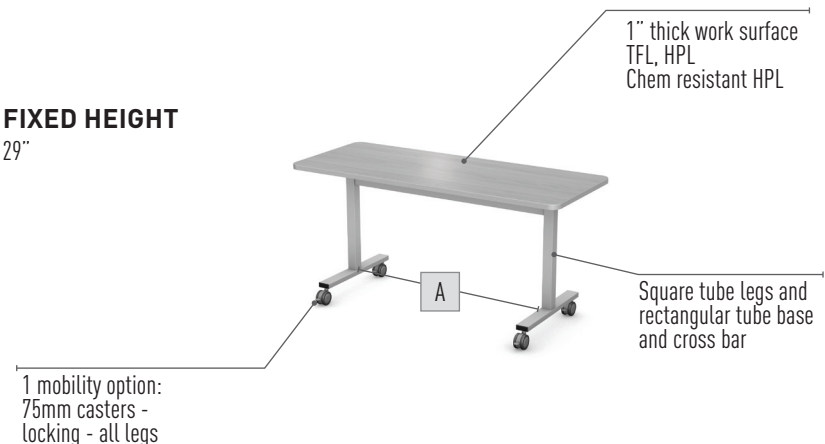


TABLES & DESKS - FLIP & NEST

Flip & Nest tables provide the perfect solution as teachers' needs for tables ebb and flow. Press the recessed activation bar at any point to flip up the work surface. Its multi-stop points prevent accidental pinch points. Roll the tables out of the way or use for vertical display.

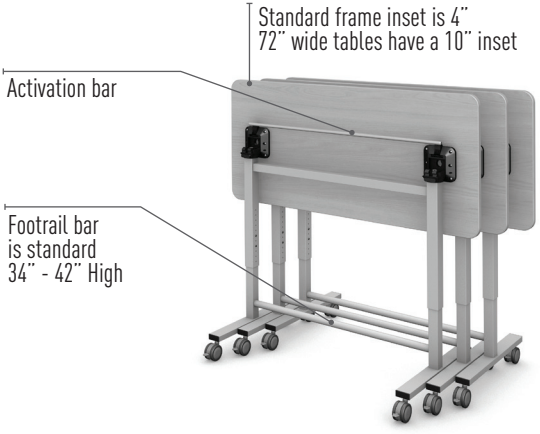
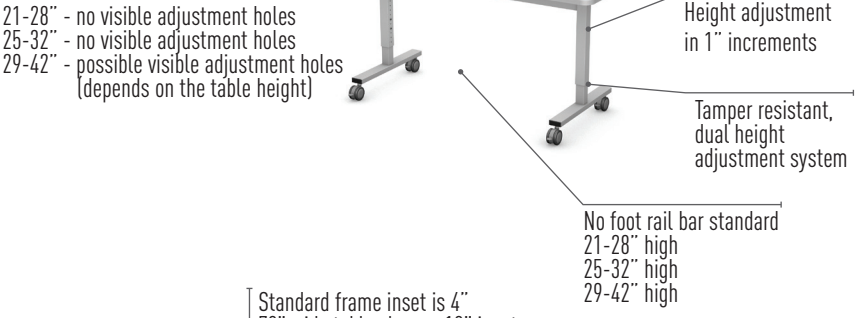
FIXED HEIGHT 29"



SPACE BETWEEN LEGS

Work Surface Width	Distance Between (A)
48"	31.5"
54"	37.5"
60"	43.5"
72"	43.5"

ADJUSTABLE HEIGHT



SHIPPING

- Ships assembled
- Casters installed
- Product weights shown exclude packaging materials

PRODUCT DETAILS



Single hand activation bar



75mm locking caster



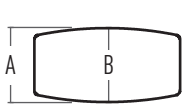
Leg adjustment



Multi-stop point flip action

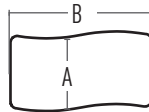
TABLES & DESKS - FLIP & NEST

WORK SURFACE SHAPE INNER AND OUTER DIMENSIONS



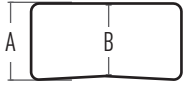
Pillow

W	A	B
48"	24.5"	28"
54"	24.4"	29"
60"	24.4"	30"
72"	24.5"	30"



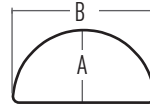
Wave

W	A	B
60"	30"	60"



Sidekick

W	A	B
48-72"	20"	18.6"
48-72"	24"	22.2"
54"	27"	25.6"



Half Round

W	B	A
24"	48"	47.793"
30"	60"	59.838"
20"	40"	20"



Hourglass

W	A	B
60"	30"	26.375"

TABLE HEIGHT IN FLIPPED UP POSITION

Table Height	Work surface depth			
	20"	24"	27"	30"
29"	37.5"	39.5"	41"	42.5"
21-28"	29.5-36.5"	31.5-38.5"	33-40"	-
25-32"	33.5-40.5"	35.5-42.5"	37-44"	38.5-45.5"
29-42"	37.5-50.5"	39.5-52.5"	41-54"	42.5-55.5"
34-42"	42.5-50.5"	52.5-52.5"	46-54"	47.5-55.5"