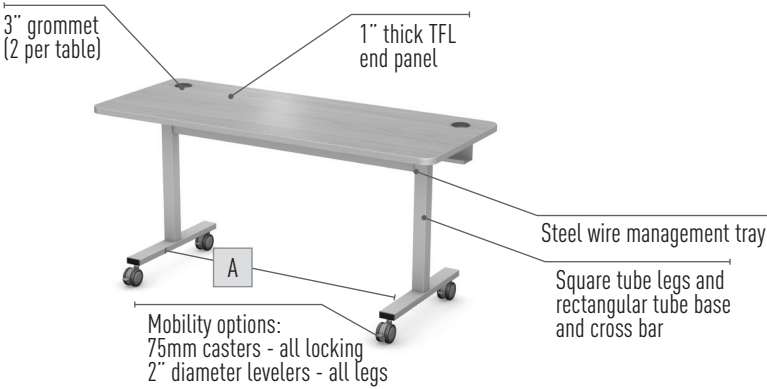


TABLES & DESKS - COMPUTER TABLES - I-LEG

While four-leg tables meet most needs, sometimes aesthetics or function call for an I-leg solution, which increases the knee swing area under a top.

FIXED HEIGHT

29"



DIMENSIONS

	Work Surface Dimensions (width)			
	36"	48"	60"	72"
24" Deep	•	•	•	•
30" Deep	•	•	•	•

SPACE BETWEEN LEGS

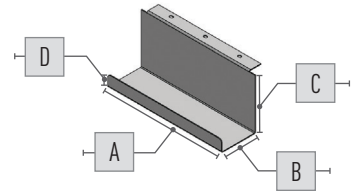
Work Surface Width	Distance Between legs
48"	31.5"
54"	37.5"
60"	43.5"
72"	43.5"

ADJUSTABLE HEIGHT

21-28" high
25-32" high
29-42" high



WIRE MANAGEMENT TRAY



Work Surface Wide	Wire Management Tray Dimensions			
	A	B	C	D
48"	41-1/2"	3"	4-1/2"	1"
54"	47-1/2"	3"	4-1/2"	1"
60"	53-1/2"	3"	4-1/2"	1"
72"	65-1/2"	3"	4-1/2"	1"

ADJUSTABLE HEIGHT

32-42" high



SHIPPING

- Work surface ships separate from frame
- Frame ship stacked
- Levelers or casters installed
- Product weights shown exclude packaging materials

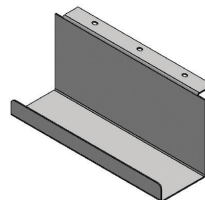
PRODUCT DETAILS



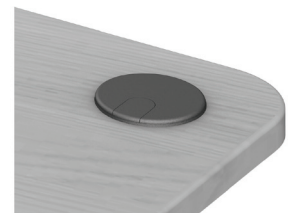
75mm locking caster



Levelers



Wire management tray



Grommet