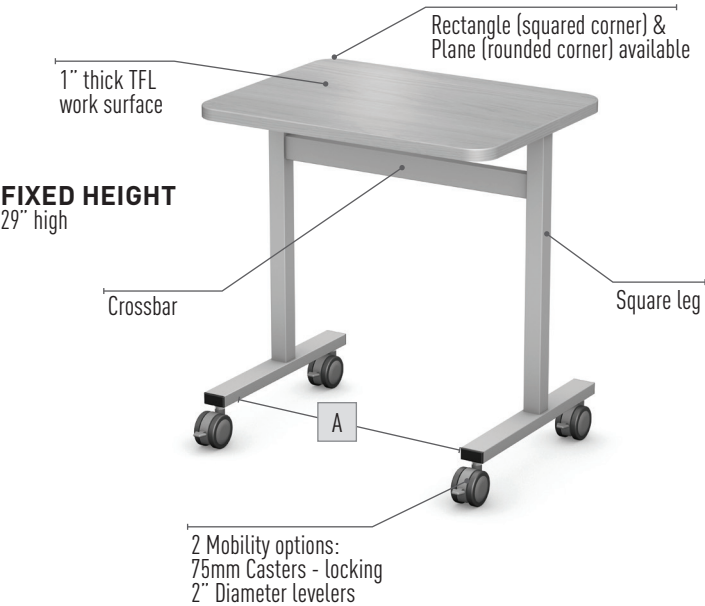


# C-LEG TABLES

Very narrow 4-legged desks can be overly confining to seated students. A C-leg solution creates more leg room and improves comfort.



## DIMENSIONS

Work Surface Dimensions			
		Width	
Depth	Corner	27"	54"
20"	Rounded	•	•

## SPACE BETWEEN LEGS

Work Surface	Distance Between
Width	(A)
27"	22.438
54"	49.438"

**ADJUSTABLE HEIGHT**  
1" increments  
24" - 32" high  
29" - 42" high



## SHIPPING

- Work surfaces ship stacked, separate from frames
- Frames ship nested
- Levelers or casters installed
- Height adjustment tools included if needed
- Product weights shown exclude packaging materials

## PRODUCT DETAILS



75mm casters



Levelers



Leg adjustment