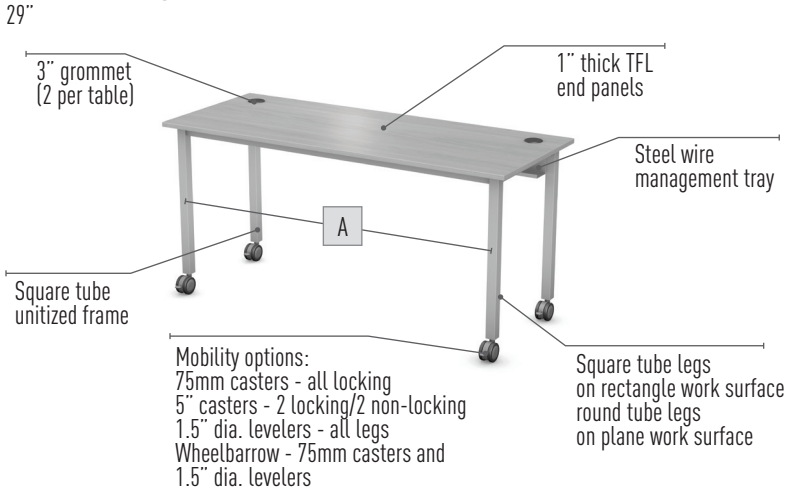


COMPUTER TABLES - UNITIZED FRAME

The flexible unitized frame table, featuring a fully welded steel frame under the work surface perimeter, can be modified for computer applications. Grommets and a cable tray make this table at home in any computer intense environment.

FIXED HEIGHT



DIMENSIONS

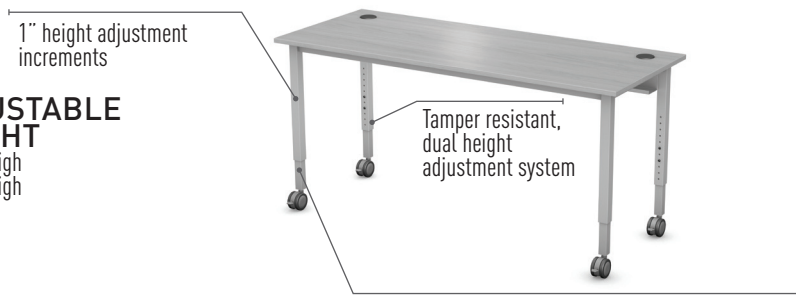
Work Surface Dimensions				
Depth	Width			
	48"	54"	60"	72"
24"	•	•	•	•
30"	•	•	•	•

SPACE BETWEEN LEGS

Work Surface	Distance Between legs
Width	(A)
48"	41.25"
54"	47.25"
60"	53.25"
72"	65.25"

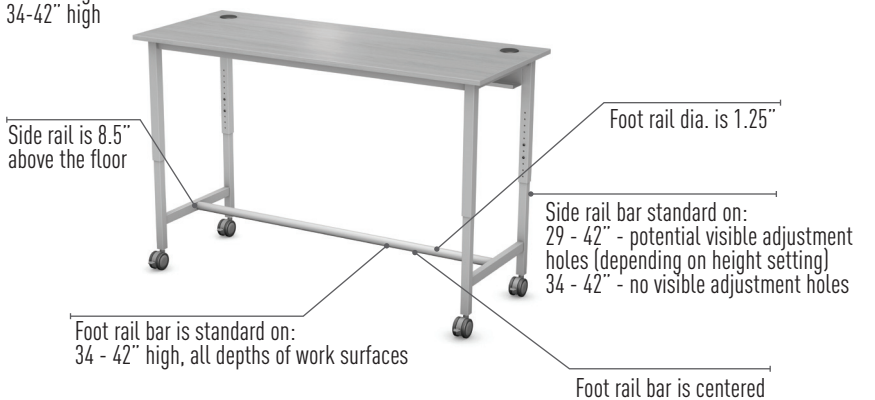
ADJUSTABLE HEIGHT

20-28" high
24-32" high



ADJUSTABLE HEIGHT

29-42" high
34-42" high



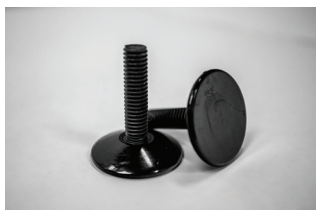
SHIPPING

- Work surfaces ship stacked, separate from frames
- Frames ship stacked
- Levelers or caster stems installed on legs
- Casters field installed
- Product weights shown exclude packaging materials

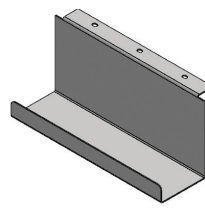
PRODUCT DETAILS



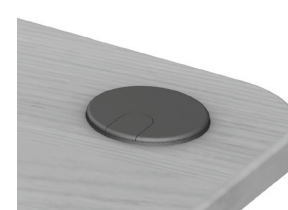
75mm locking caster



Levelers



Wire management tray



Grommet